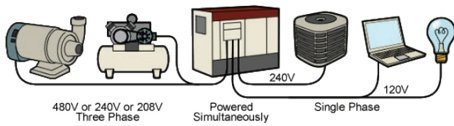


Compact. Efficient. Ultra Quiet.

- Simul-Phase Technology delivers simultaneous 3-phase & single-phase power
- Ultra Quiet Technology
- Lightweight & exceptionally compact to fit into tight spaces
- ESI-exclusive Re-Air option regulates airflow to maintain constant temperature within the enclosure
- Meets EPA Tier 4 Interim Emission Requirements under the EPA Flex program.

SIMUL-PHASE
TECHNOLOGY



GENERATORS

BUILT ARCTIC TOUGH

www.EquipmentSourceInc.com

Features & benefits

- Rugged, fuel-efficient Kubota diesel engine
- Two-way tank valve for easy connection with auxiliary tanks
- Eco-mode running means less fuel consumption
- Large 111 gallon fuel tank
- Simul-Phase Technology delivers simultaneous three-phase and dual-voltage single-phase power
- Ultra Quiet Technology for class-leading sound-level reduction
- Lightweight and compact to fit into tight spaces
- Connects easily and is simple to operate
- Low oil pressure and high coolant temperature result in automatic shut-down
- Durable all-weather outer enclosure with powder coated exterior and stainless steel fasteners

Available mounting

- Skid mounted (standard)
- Trailer mounted

Options

- ESI-exclusive Re-Air attachment regulates airflow to maintain a constant temperature within the enclosure



Specifications

Generator type	Revolving field brushless AC Simultaneous 3 Phase-120/240V Single Phase
Frequency	60 Hz
Output	Three-phase: 60 kVA / 48 kW Single-phase: 36 kVA / 36 kW
Voltage	Three-phase: 208, 240 V Single-phase: 120, 139, 240 V
Current	Three-phase 208V: 144A Three-phase 240V: 144A Three-phase 480V: 72A Single-phase 120V: 150 x 2 Single-phase 240V: 150



SPECIFICATIONS

Diesel Engine Generator

DGK60D

****WARNING****

Generators purchased from ESI are not rated for operations in ambient conditions below 5 Degree Fahrenheit unless equipped with an Arctic Re-Air enclosure. Operations colder than 5 Degree Fahrenheit will void warranty, may shorten the life expectancy of the generator or cause damage or failure to the generator. Customer may operate the generator at Ambient conditions colder the 5 Degrees Fahrenheit at their own risk.

Ask the ESI Sales Team bout Re-Air equipped Generators

CONTENTS

CHAPTER 1: GENERAL1

- 1. Application**
- 2. Standard**
- 3. Design Conditions**
- 4. Test and Check**
- 5. Painting**
- 6. Structure**

CHAPTER 2: SPECIFICATIONS2

CHAPTER 3: EQUIPMENT AND FEATURE3

- 1. Equipment**
 - (1) Generator**
 - (2) Safety Device**
 - (3) Equipment**
- 2. Feature4**
 - (1) Feature**
 - (2) Protection Device**
 - (3) Fuel Economy**
 - (4) Accessories**

CHAPTER 4: APPEARANCE5

CHAPTER 1: GENERAL

1. Application

- (1) Power Sourcing for light, electric tools and appliances.

2. Standard

Design and production are in conformity with:

- (1) Japan Industrial Standards: JIS C 9300-1
- (2) Low Noise Type Construction Machinery Standard
- (3) Voluntary Emission Regulations for non-road engines in Japan by LEMA. (Tier 3)
- (4) EPA Tier 3 Emission

*LEMA stands of Japan Land Engine Manufacturers Association.

3. Design Condition

- (1) Installation Place: Outside Only.
- (2) Ambient Temperature: -15 to +40°C (5 to 104°F)
- (3) Humidity: Less than 80%
- (4) Altitude: Less than 300 meters (984 ft.) above sea level.

4. Test and Check

Test shall be done with a complete workable unit of the diesel engine unit.

Check Items:

- (1) Insulation and Dielectric Test
- (2) Starting
- (3) Protection Device Working Test
- (4) Voltage Deviation and Speed Variation: 0-4/4 Load
- (5) Load Test: Welding and Generating 4/4 Load

5. Painting

Painting and color specifications are as per manufacturer's standard.

6. Structure

- (1) Bed and Vibration Proof Device
Alternator is directly coupled with engine and both are installed on the bed through the vibration proof device.
- (2) Low Noise
Low noise structure is put in the inside of the bonnet.
Sound Level: 61dB(A) @7m distance under no load, 1800 min⁻¹.
- (3) Fuel Tank
A steel fuel tank is equipped and incorporated with the electrical level gauge.

CHAPTER 2: SPECIFICATIONS

Model		Unit		DGK60D	
Alternator	Generator Type	-		Revolving Field Brushless AC Simultaneous 3 Phase-120V/240V 1 Phase	
	Rated Frequency	Hz		60	
	Rated Output	Three phase	kVA	60	
			kW	48	
		Single phase	kVA	36/ [18] *1	
			kW	36/ [18] *1	
	Rated Voltage	Three phase	V	208/240/ [480] *1	
		Single phase	V	120/139/240/[277] *1	
	Rated Current	Three phase-208V	A	144	
		Three phase-240V	A	144	
		Three phase-480V	A	72	
		Single phase-120V	A	150×2 [75 x 2]*1	
		Single phase-240V	A	150 [75]*1	
	Power Factor	-		Three phase 0.8, Single phase 1.0	
Insulation class	-		F		
Excitation	-		Self Excitation (brushless)		
No. of Poles	-		4		
Engine	Type	-		Vertical Water-Cooled 4-Cycle Diesel	
	Model(Manufacturer)	-		Kubota V3800DI-TI	
	No. of Cylinders (bore × stroke)	(in./mm)		4 (3.94×4.72/100×120)	
	Continuous Rated Output	hp		77	
	Rated Speed	rpm		1800	
	Displacement	cu.in./liters		230/3.769	
	Combustion System	-		Direct Injection (Turbo-charged)	
	Cooling Method	-		Radiator	
	Lubricating Method	-		Forced Lubrication	
	Starting Method	-		Electric	
	Fuel	-		No. 2-D EPA regulation	
	Lubricating Oil	-		CF class or higher	
	Fuel Tank Capacity	gal./liters		111/420	
	Lubricant Volume	gal./liters		3.5/13.2 (including filter 0.1/0.4)	
	Cooling Water Volume	gal./liters		3.3/12.5 (including sub-tank 0.4/1.6)	
	Starting Motor Capacity	V-kW		12-3.0	
	Charging Alternator Capacity	V-W		12-960	
	Battery Capacity	-		12V-92AH	
Unit	Length	in./mm		78/1970	
	Width	in./mm		35/880	
	Height	in./mm		64/1630	
	Dry Weight	lbs./kg		2843/1290	
	Installed Weight	lbs./kg		3703/1680	

*Outputs shown in above *1 are measured when the voltage selector switch is set at 240V.

**Specifications subject to change without notice.

CHAPTER 3: EQUIPMENT AND FEATURE

1. Equipment

(1) Generator

AC Output Receptacle	
● 1-Phase Receptacle (120V).....	2 pcs.
● 1-Phase Receptacle (240/120V).....	3 pcs.
Circuit Breaker (120V).....	2 pcs.
Circuit Breaker (240/120V).....	3 pcs.
1-Phase Breaker.....	1 pc.
3-Phase Breaker.....	1 pc.

(2) Safety Device

Terminal Cover with locking structure.....	1 pc.
Fuel Inlet Cover with a locking key.....	1 pc.
Protection Monitor with automatic engine shutdown feature.....	1 set.

(3) Equipment

Electronic Display.....	1 set
● Oil Pressure	
● Water Temp.	
● Engine Speed	
● Output (kVA)	
● Fuel Level Meter	
Warning Monitor.....	1 set
● Battery Charge	
● Oil Pressure	
● Water Temp.	
● Over Speed	
● Air Filter	
● Spill Containment	
● Engine	
Volt Meter.....	1 pc.
Amp. Meter.....	1 pc.
Frequency Meter.....	1 pc.
Breaker Trip Selector.....	1 pc.
Hour Meter.....	1 pc.
Slow-Down Switch.....	1 pc.
Display Selector.....	1 pc.
Voltage Regulator.....	1 pc.
Amp. Meter Selector.....	1 pc.

2. Feature

(1) Feature

- Sound Level 61dB(A) at 7m distance under no load, 1800 min⁻¹.
- Generating Performance 1-phase & 3-phase (Simultaneous)
- 2 Way Drive Control High/Low Speed
- Environmental EPA Phase 3 Compliance, Low Sound Level
- Fuel Tank Capacity 420 Liters (111 gal.)
- Dry Weight 1,290 kg (2,843 lbs.)
- Dimensions (LxWxH) 1970 x 880 x 1630 mm (78 x 35 x 64 in.)

(2) Protection Device

Item	Set Value	Engine Shut-Down
Water Temp.	230°F	○
Oil Pressure	7 psi	○
Over Speed	2070 min ⁻¹	○
Low Battery Charge	8V	○
Air Filter	Clogging Up	-
Spill Containment	10 gal.	-
Engine Malfunction	-	-

(3) Fuel Economy

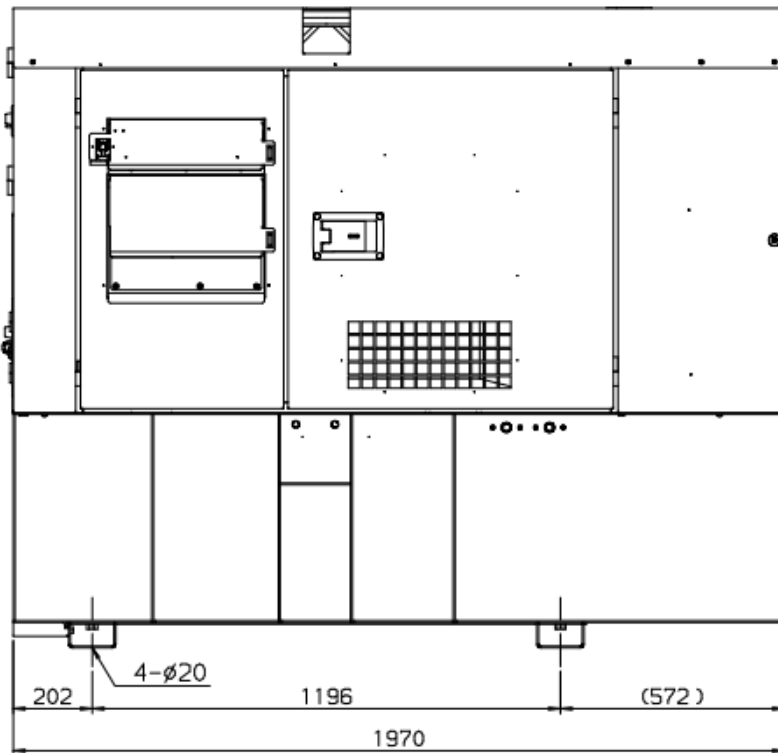
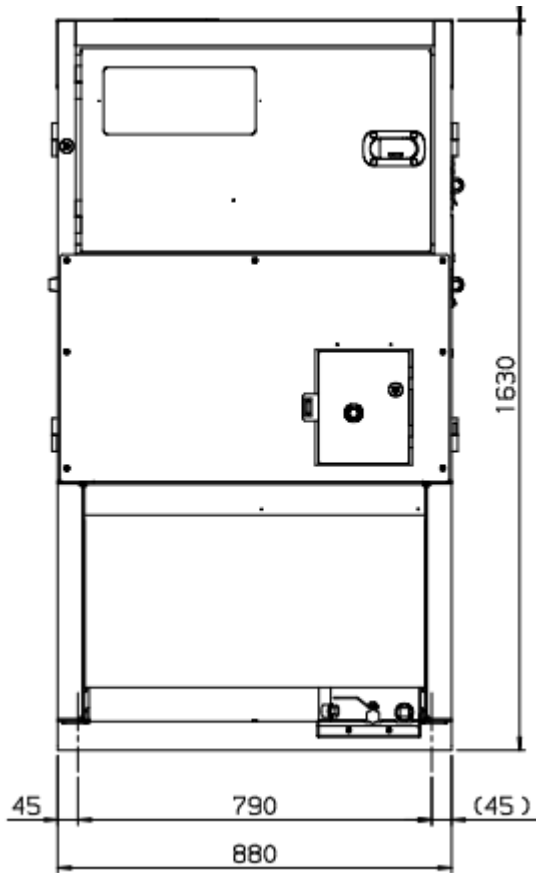
Load	Fuel Consumption
Full load	14.0L/hr. (3.69 gal./hr)
3/4 load	10.2L/hr. (2.69 gal./hr.)
1/2 load	7.2L/hr. (1.9 gal./hr.)
1/4 load	4.5L/hr. (1.18 gal./hr.)

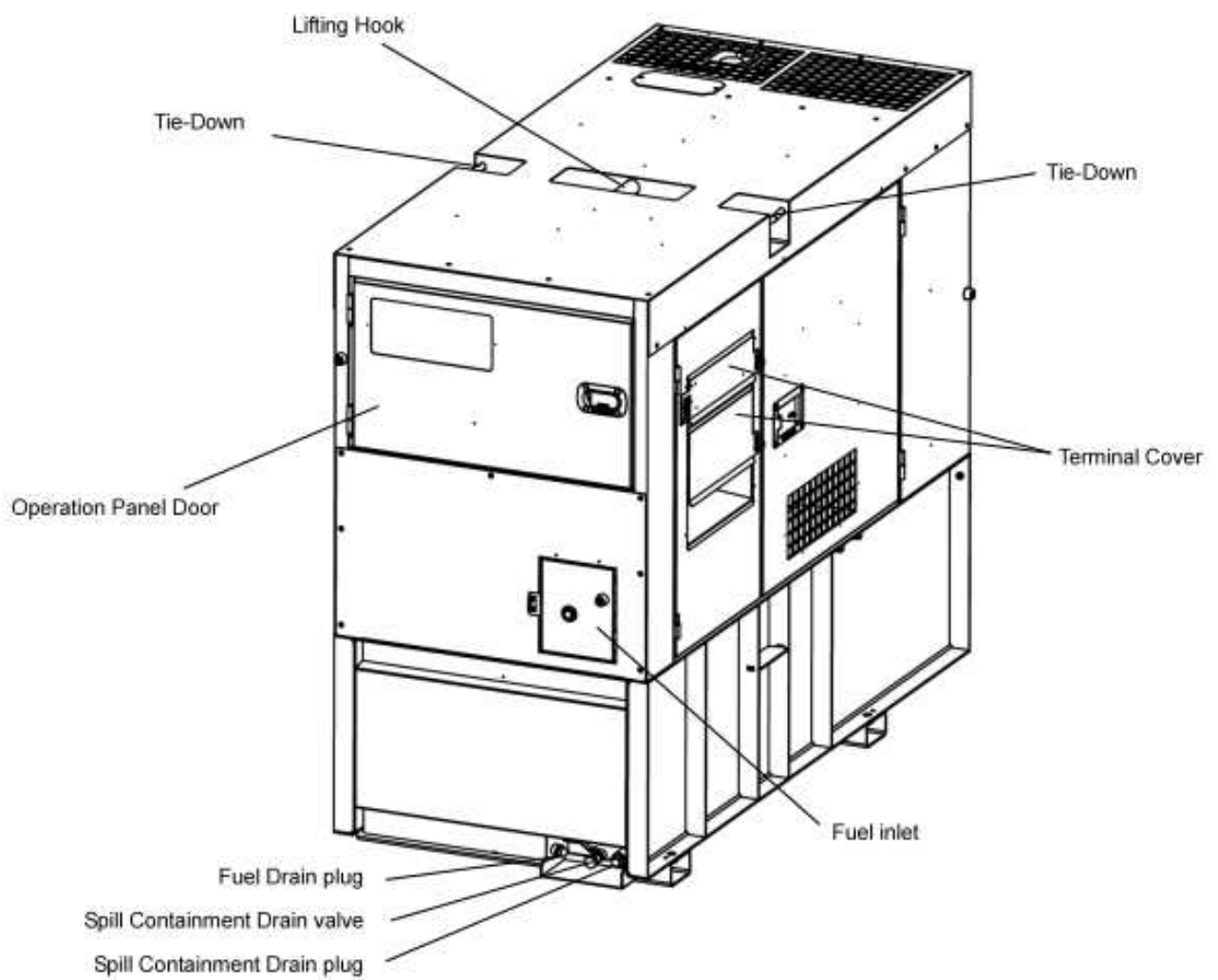
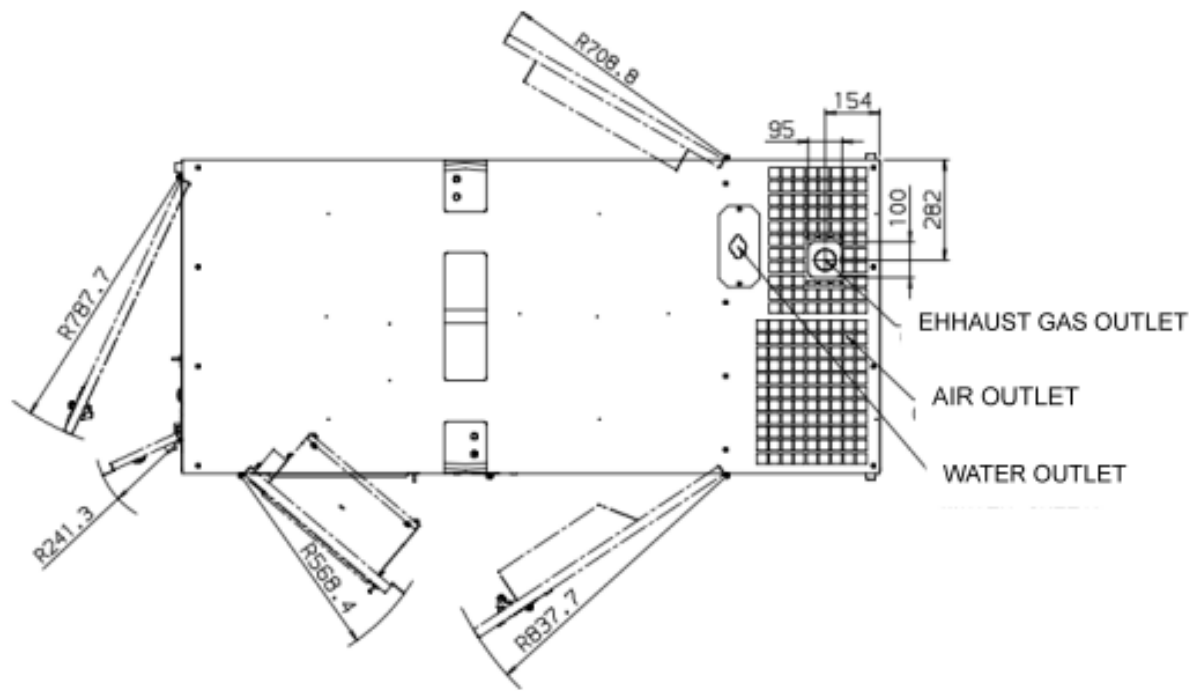
For reference only.

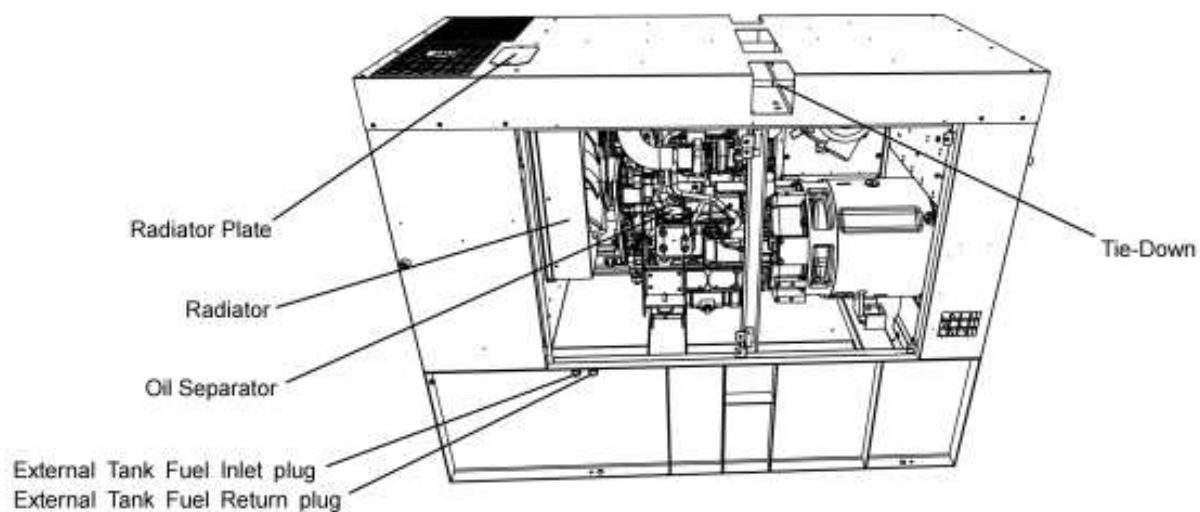
(4) Accessories

Owner's & Operator's Manual	1 copy
Engine Warranty Statement	1 copy
Starter Key	1 set (2 pcs.)

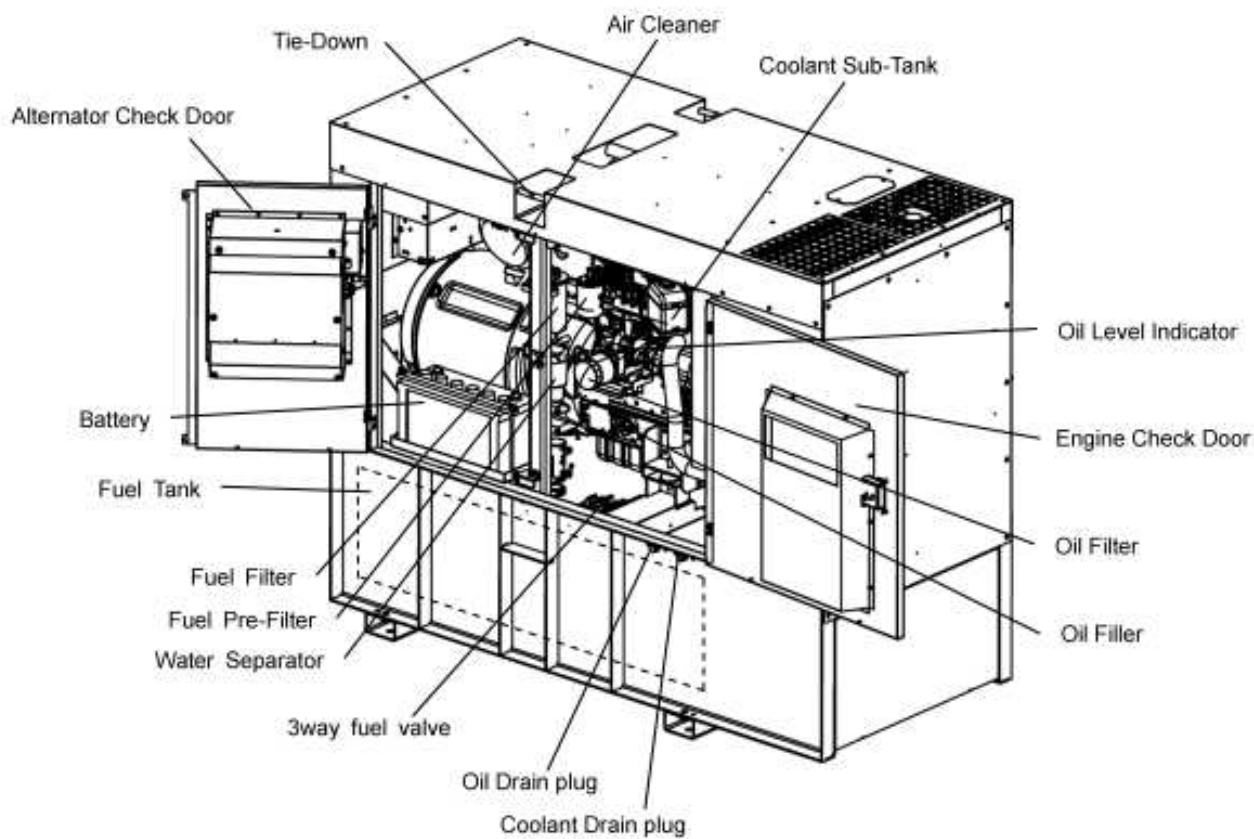
CHAPTER 4: APPEARANCE







* Shown with side-plate removed.



YAMABIKO CORPORATION

**35 SHIN-UJIGAMI, KITA-HIROSHIMA-CHO,
YAMAGATA-GUN, HIROSHIMA 731-1597 JAPAN**

Telephone: (81)826-72-5140

Fax: (81) 826-72-7004

www.yamabiko-corp.co.jp