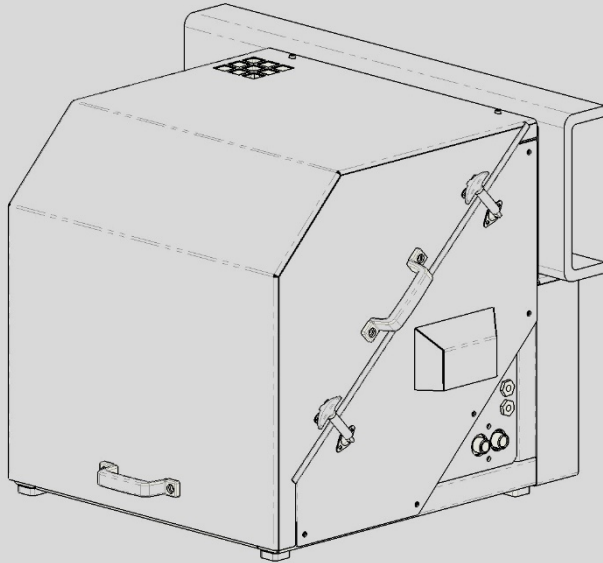




OPERATORS MANUAL

Auxiliary Power Unit

MODEL APU MKII



SPECIFICATIONS

Weight:	490 LB [222 KG]
Fuel Usage:	Full load 3.5 kW	0.66 GPH [2.5 LPH]
	No load	0.44 GPH [1.6LPH]
Fuel Type:	ULSD
Fuel Storage:	Capacity	External tank
	Secondary containment.....	X GAL [X L]
Heat Output:	Max from coolant	37,000 BTU/HR
	Electric heat power.....	3.5 kW
Generator:	Engine	Kubota Z482
	Generator	Mecc Alte
	Engine continuous power	3.5 kW
	Voltage	230V
	Aux power	3.5 kW @ 60Hz

Copyright © 2019 Equipment Source, Inc.

Equipment Source, Inc.
1919 Van Horn Street
Ph (888) 868-9049

Fairbanks, AK 99701
equipmentsourceinc.com