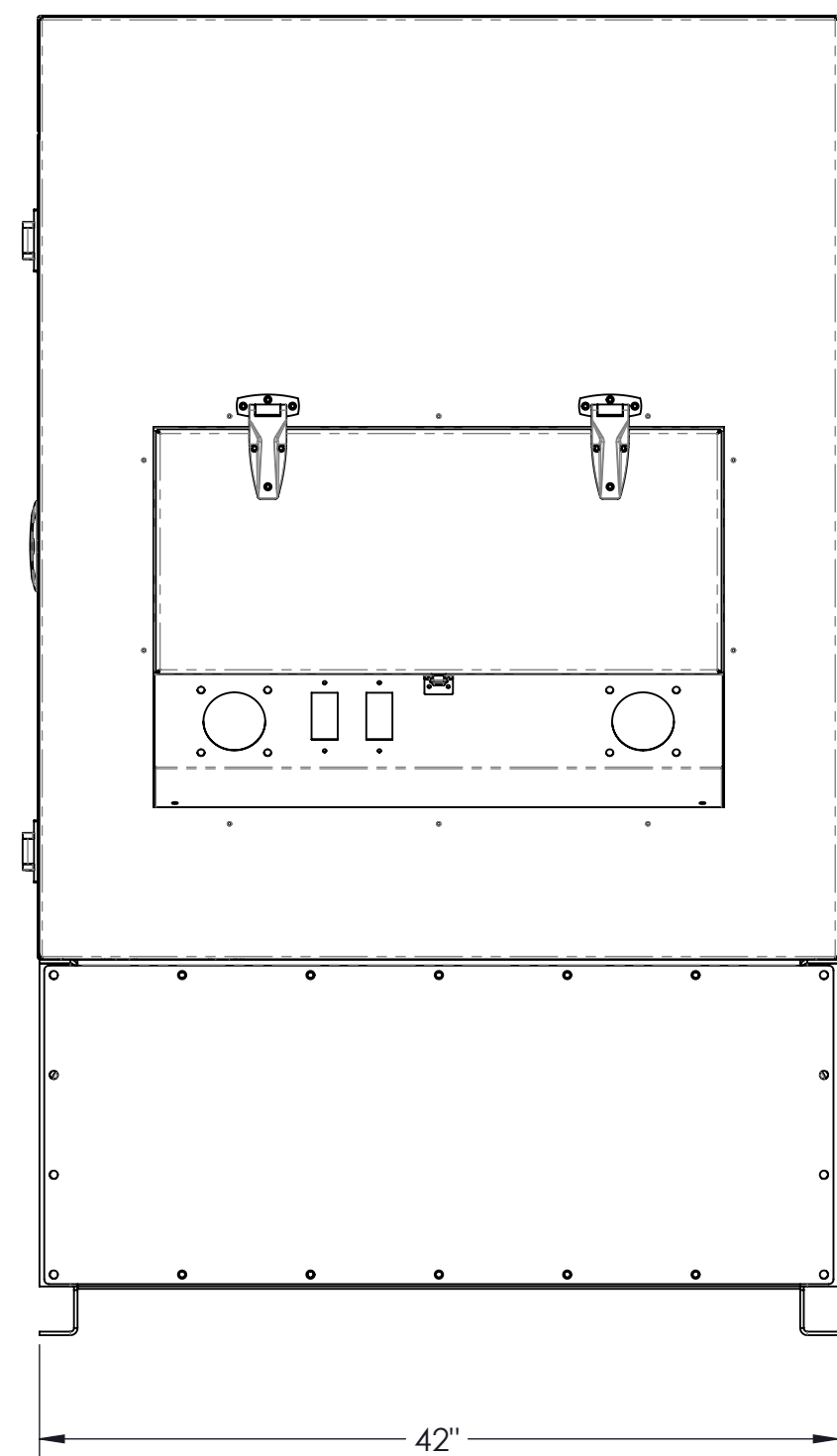
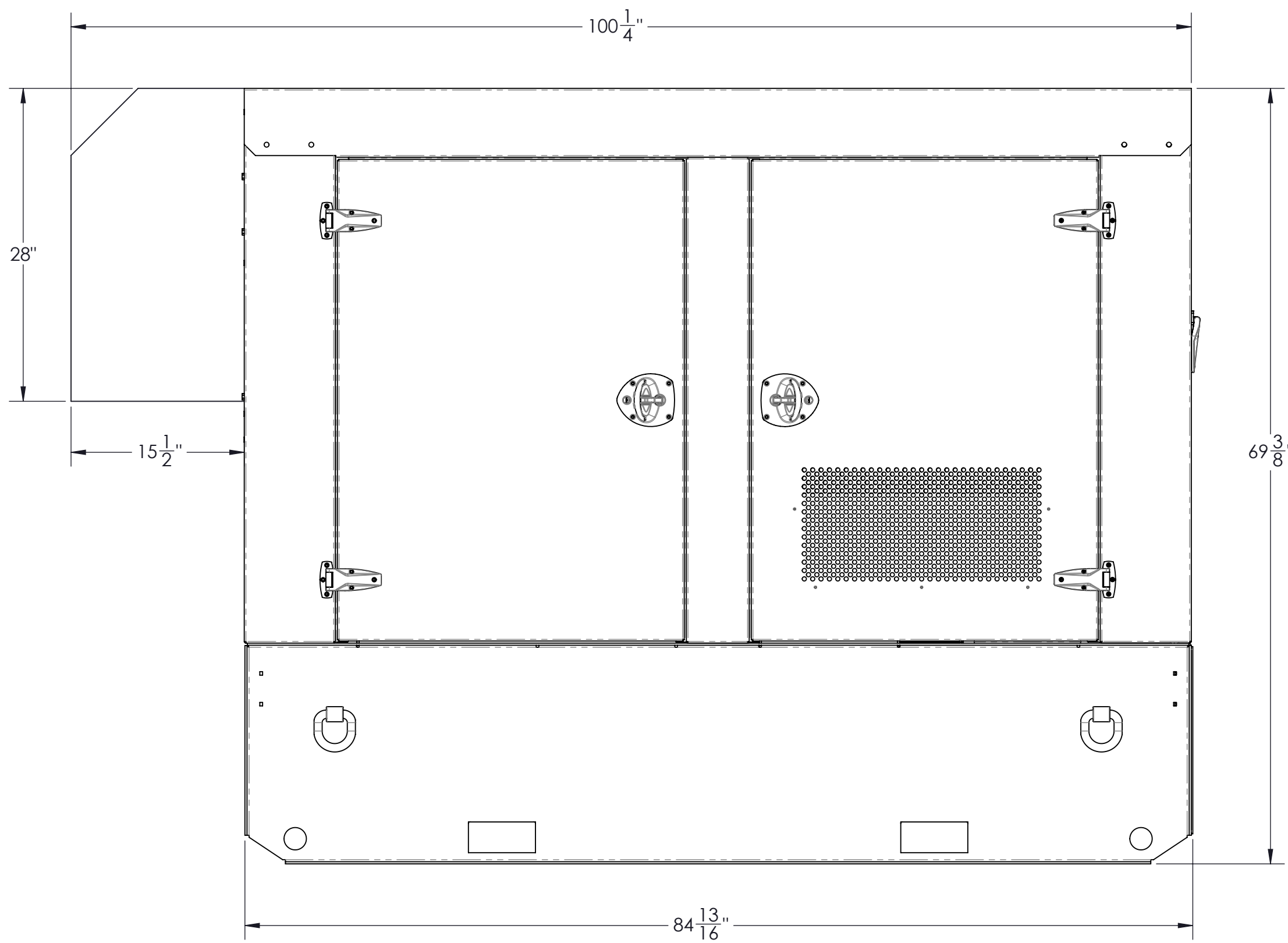


4

3

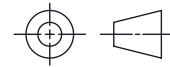
2

REVISIONS				
ZONE	REV.	DESCRIPTION	DATE	APPROVED



THIS DOCUMENT AND THE SUBJECT MATTER IN IT IS THE CONFIDENTIAL PROPERTY OF EQUIPMENT SOURCE INC. RECIPIENT MAY NOT REPRODUCE, DISCLOSE OR UTILIZE IT OTHER THAN FOR THE SPECIFIC PURPOSE FOR WHICH IT WAS TRANSMITTED. IT MUST BE RETURNED UPON REQUEST.

MATERIAL	UNLESS OTHERWISE SPECIFIED DIMENSIONS ARE IN INCHES TOLERANCES .X ± .05 .XX ± .02 .XXX ± .010 FRACTIONS ± 1/16 ANGLES ± 1 DEG THIRD ANGLE PROJECTION	COPYRIGHT BY EQUIPMENT SOURCE INC.	
THICKNESS/GAUGE		DO NOT SCALE DRAWING WORK TO DIMENSIONS SHOWN	
FINISH		NAME	DATE



DRAWN BY	-	-
MODELED BY	-	-
CHECKED	-	-



TITLE			
ENCL SKID 36 KW MA			
SIZE C	PROJECT NO.	PART NO.	REV
		100031	
SCALE 1:10	EST. WEIGHT: TBD LBS	SHEET 1 OF 2	

4

3

2

1

D

D

C

C

B

B

A

A